

TRIDENS INDOTAMA MECHANICAL SEALING

Office :
Jl. Niaga Industri Selatan 2
Blok QQ 2 No.9 Jababeka
Workshop :
Jl. Raya Cicadas No.9 Sukaresmi
Lippo Cikarang – Bekasi
Tlp : 021 29092029
Fax : 021 29092029
Watsapp : 08128273880
Email : tridensindotama@yahoo.co.id
Web : www.tridensindotama.com



Who we are

Established 10 years ago, Tridens Indotama manufactures a full range of mechanical seals from single spring, metal bellow seals to cartridge seals, and now we are concentrating more on providing solutions for fluid leakage instead of just making mechanical seals. Tridens Indotama mechanical seal is designed, made and used for every application.



Our partner



Our mission

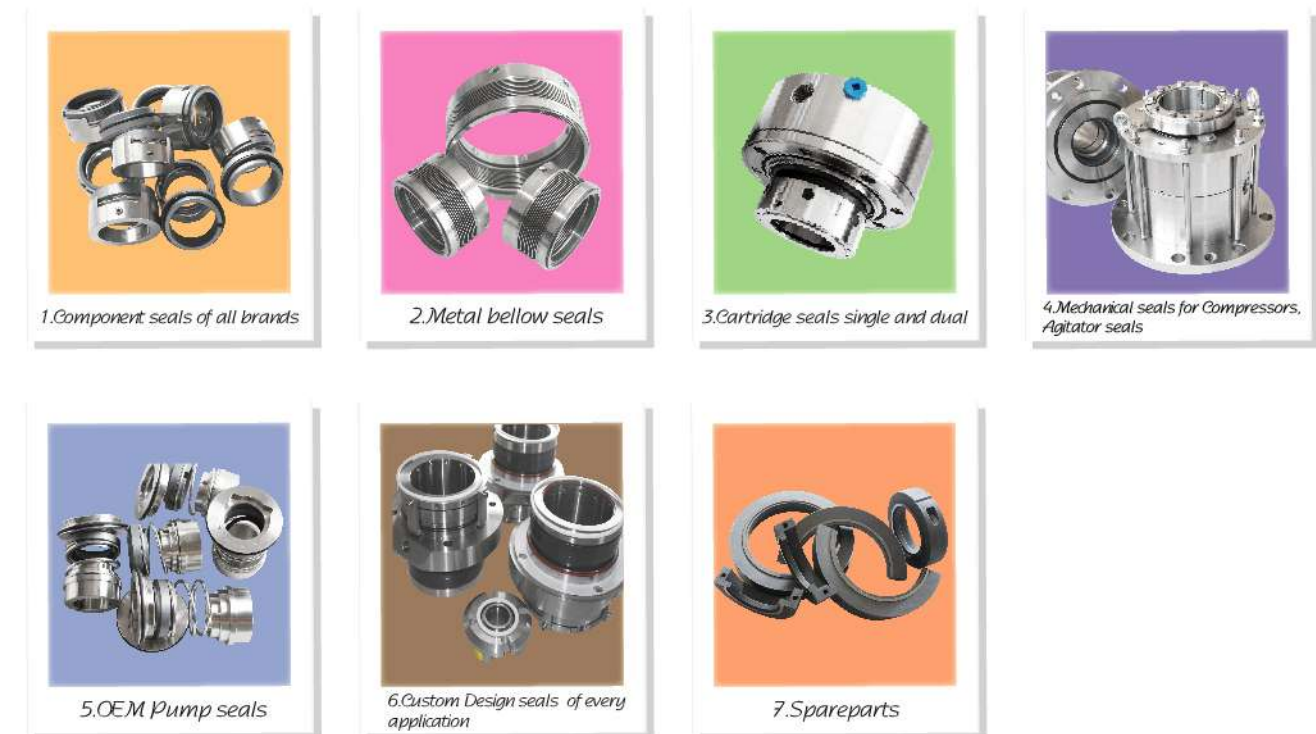
We are making all efforts to provide one-stop service to prevent any leakage.

Application:



What we do

Products:



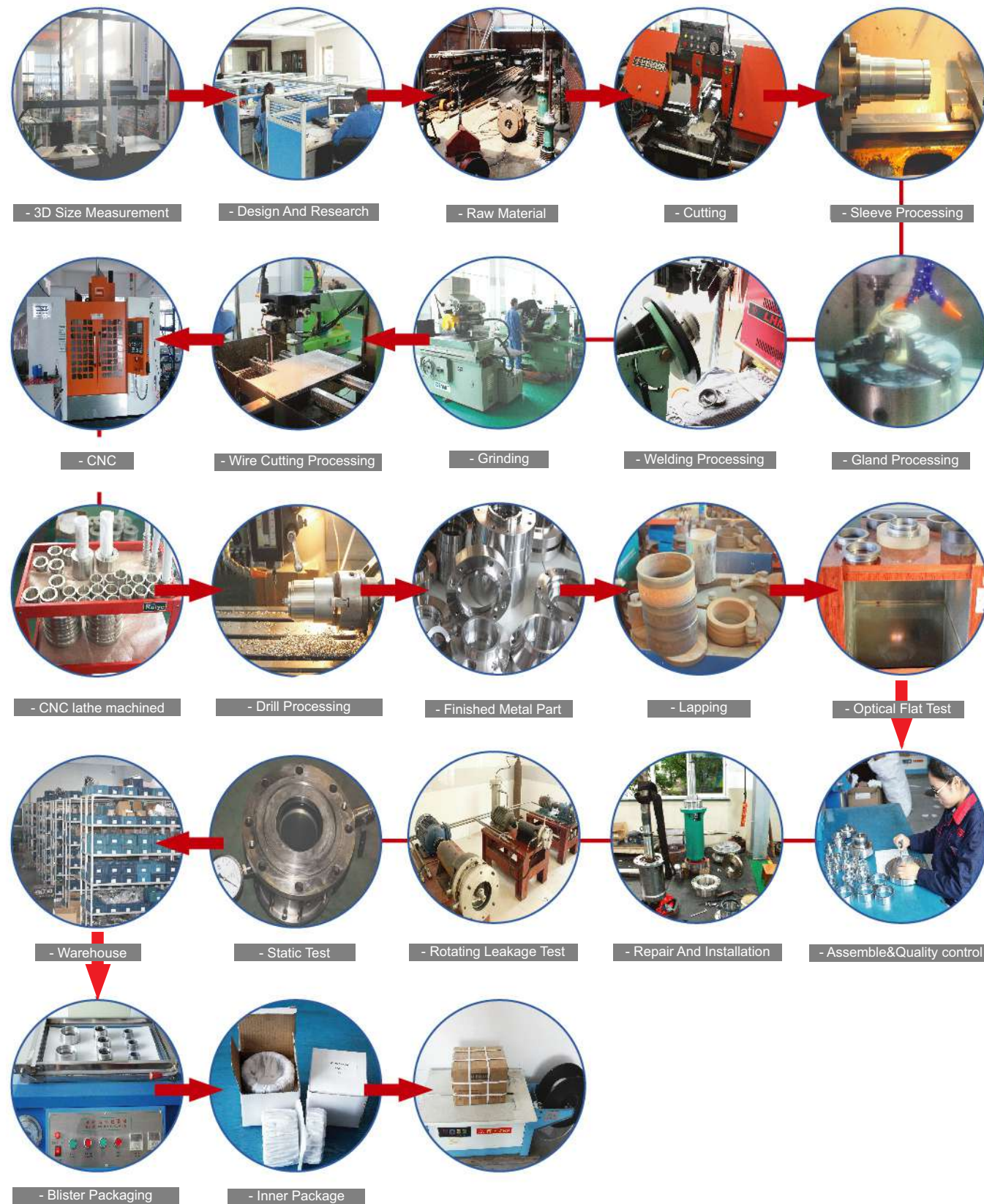
Repair service :

- 1 Mechanical seal repair for any brand
- 2 Reactor, Mixer and agitator seal repair
- 3 Pump repair
- 4 Lapping Service
- 5 CNC Service

Value added Service:

- 1 Off the shelf support: Huges stock available to save stock cost for customers
- 2 24 hours feedback: Our sales team will quote within 24 hours for any inquiry
- 3 Technical support: Call us for any question whenever you have
- 4 Onsite Support: We can go to working site whenever needed

How we work



Why choose us

I. How we guarantee our quality?

Tridens Indotama always runs all its procedure according to ISO9001 standard.

1. Correct drawing guarantee:
Drawing will be sent to our customer for final confirmation before production:
2. Strict QC control
QC1: Always checking quality for all raw materials before putting it in warehouse:
QC2: Staff in workshop only dedicated to quality inspection during production:
QC3: Optical flat test after lapping:
QC4: Dimension checking for all spareparts before assembly
QC5: Static & Rotating leakage test after assembly.
3. Good package:
All mechanical seals are packed separately with shock-proof film to ensure its safety, for heavy items, it will be packed inside plywood
4. Safe delivery:
Goods will be delivered to customers by the professional transport agencies

II. How is our delivery time?

1. 7- 10 days for component seals standard ones;
2. 10- 15 days for standard metal bellow seals;
3. 25- 30 days for cartridge seals & agitator seals & others
(If you are our constant customer, we could also keep stock for you to save your cost)

III. How is our price?

Our price is competitive because of 4 reasons:

1. We are a factory with long history, our constant material supplier give discount to us for long time cooperation which result in a low material cost;
2. Our steady experienced workers work with high efficiency which relatively saves manual cost too;
3. Tridens Indotama has a big number of customers who order constantly which allows us to work in "mass production" way, like you need 5pc, we make 20pcs, so material cost low, and others will be kept as our stock for sell to this big customer database.
4. Tridens Indotama aims to keep huge stock to shorten delivery time, which enable us to make always big quantity to lower cost down.

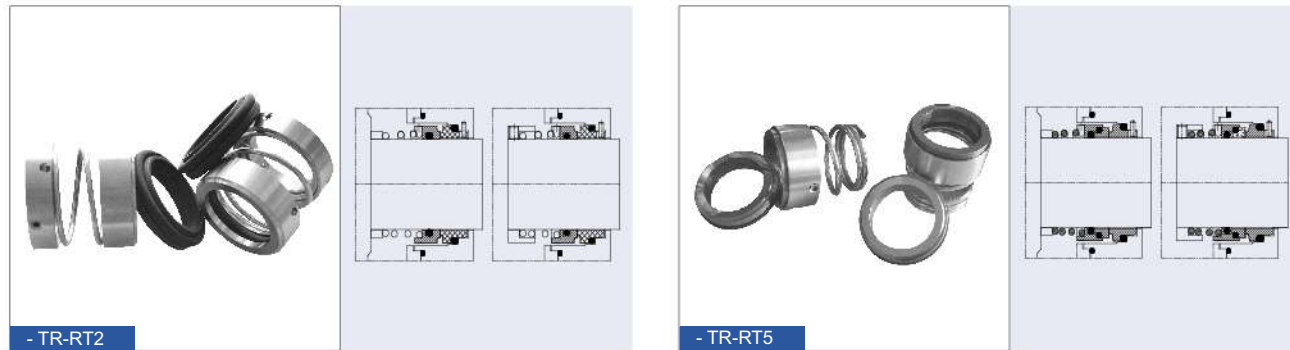
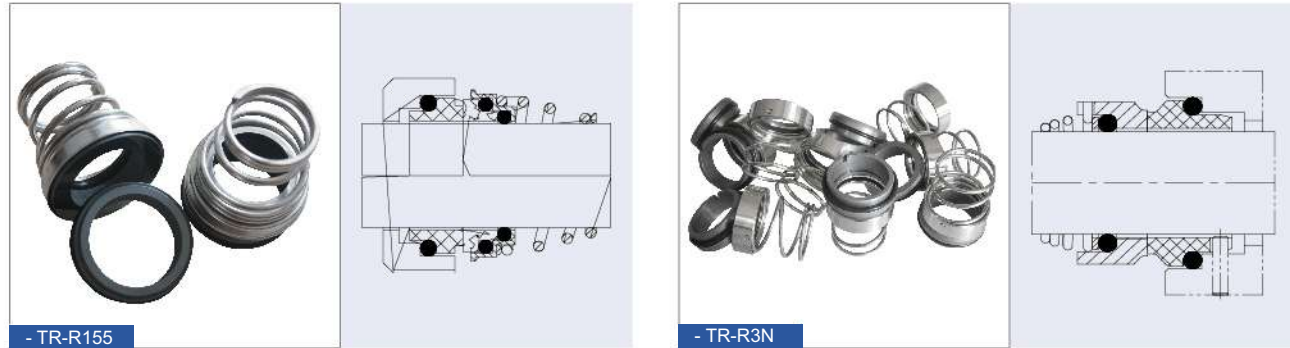
IV. How is our service?

1. Tridens Indotama has a service team especially to solve problems from our customers, whenever you have complaint, please always email to tridensindotama@yahoo.co.id :
2. We have a sales team who always get trained for technical problems, so that you can get answers more swift whenever you have problems;
3. Tridens Indotama is a world brand which is always responsible for its products & duty. We only want to be your long-term partner, so we will always care about your feedback.

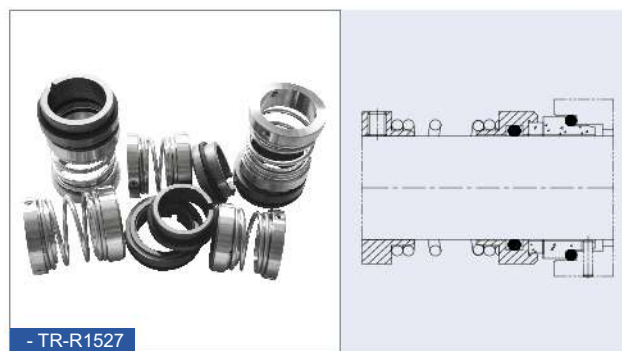
V. How to order?

- tridensindotama@yahoo.co.id 021 29092029
 [Whatsapp/Hp : 08128273880](https://wa.me/08128273880)

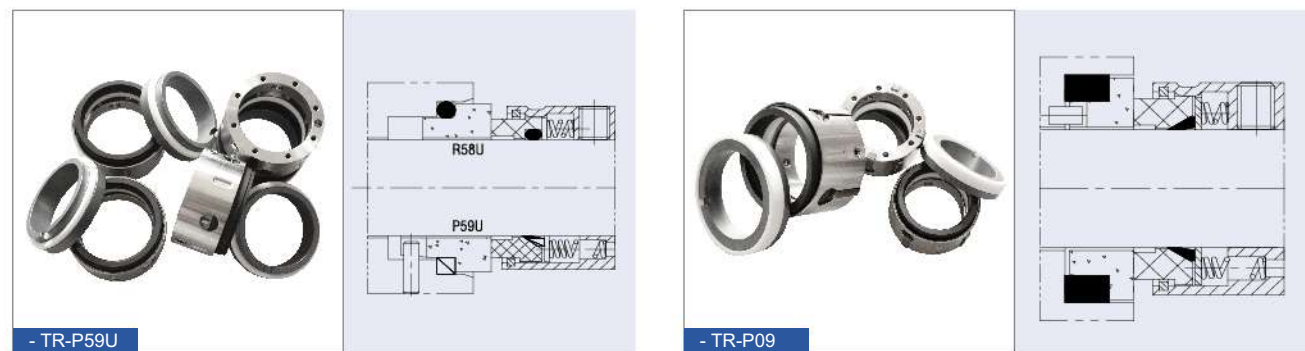
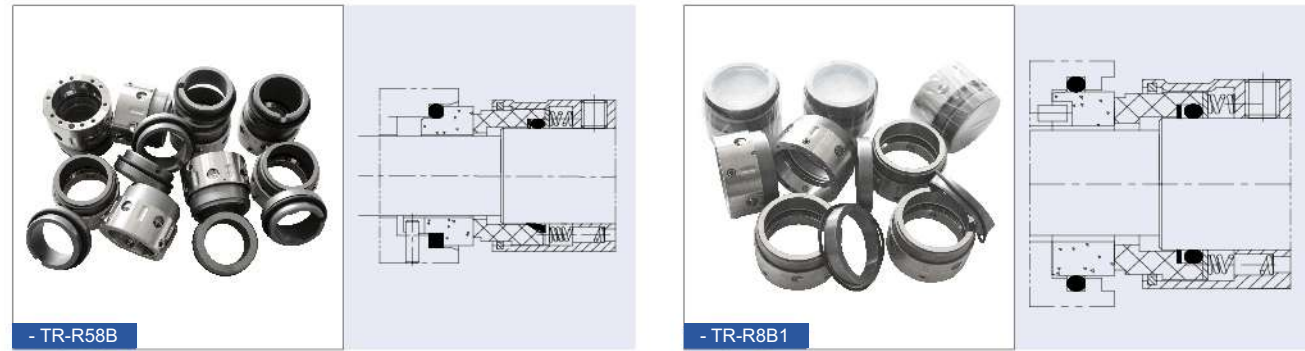
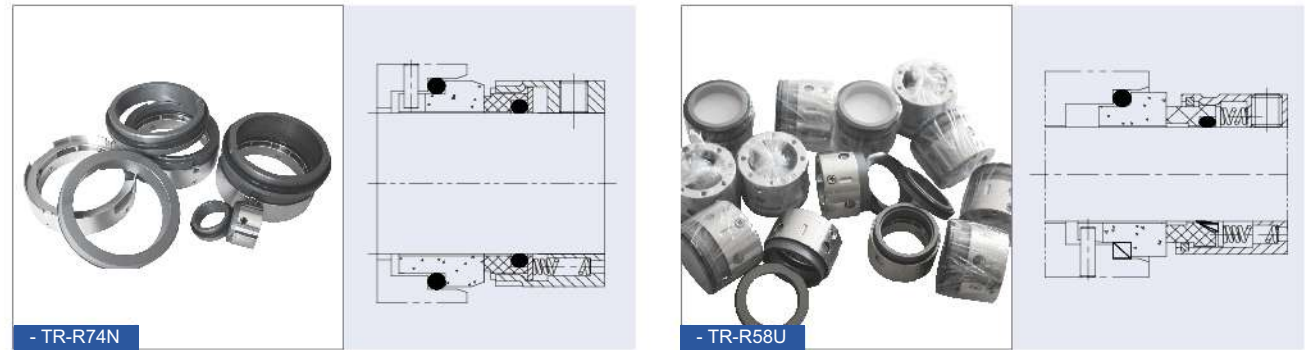
Component Seals ▪ Conical Spring Mechanical seals



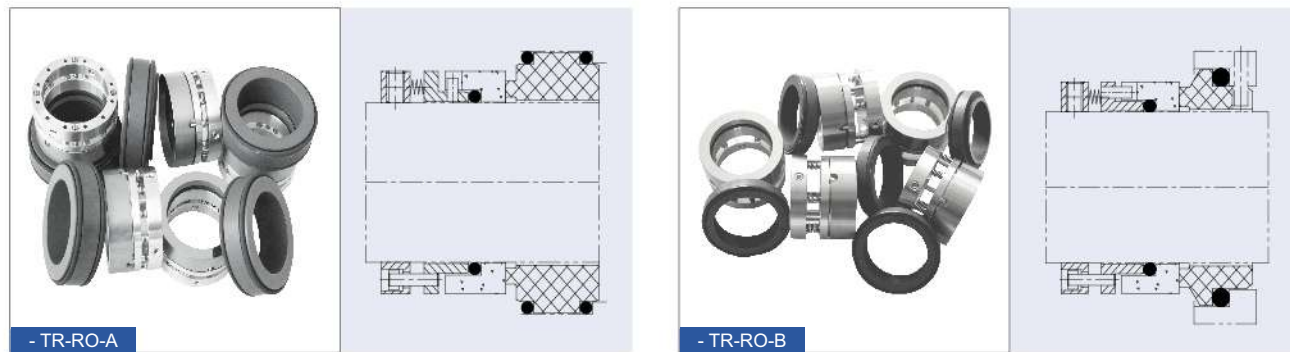
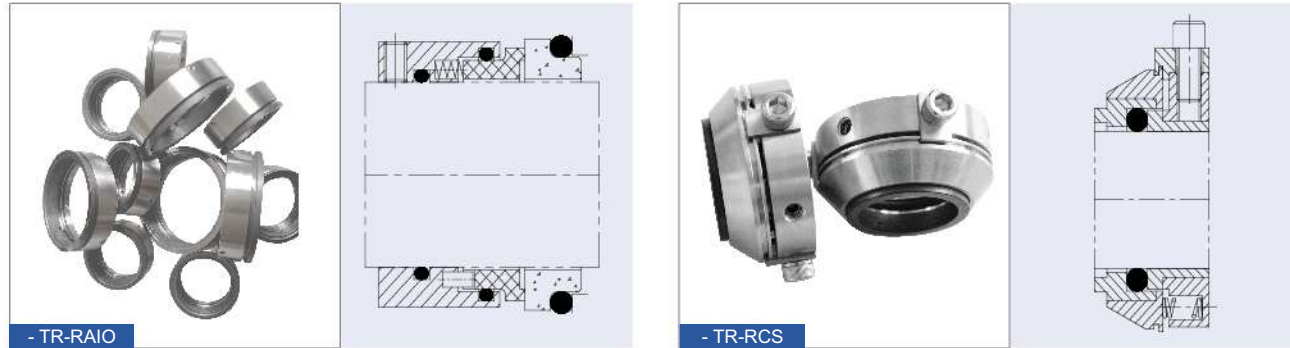
Component Seals ▪ Single spring mechanical seals



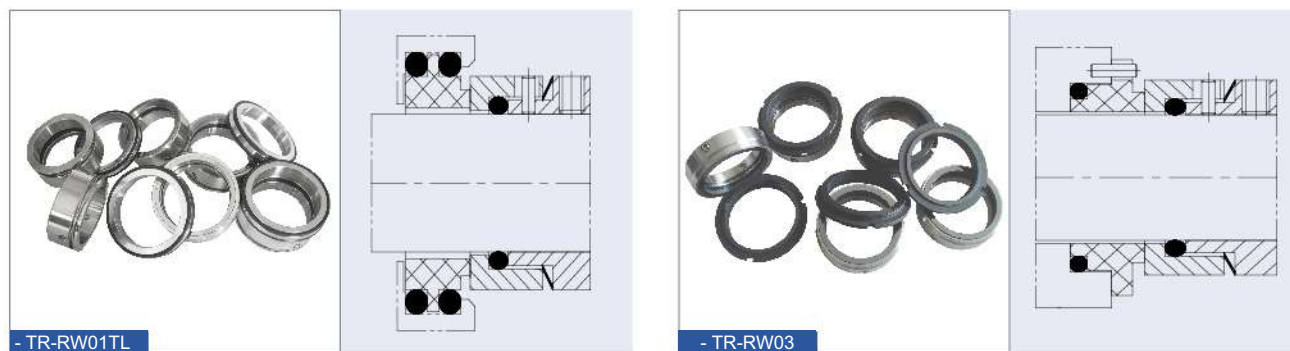
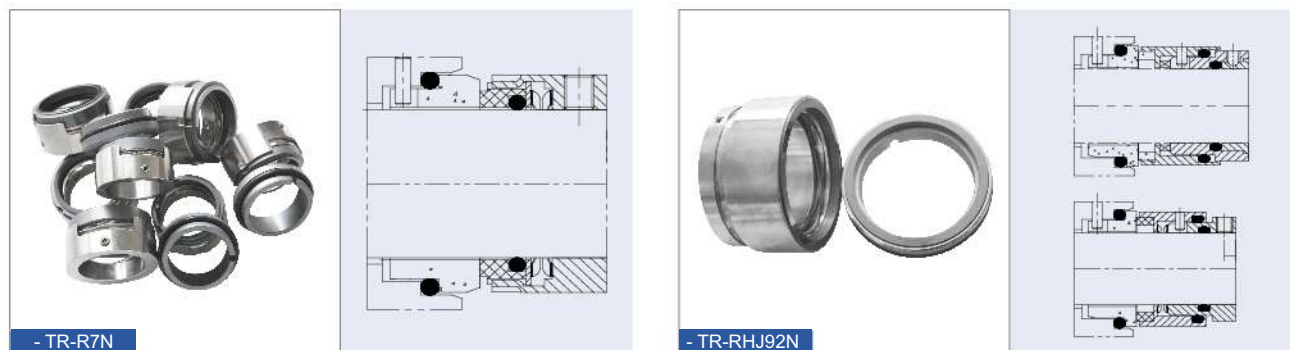
Component Seals ▪ Multiple Spring Mechanical seals



Component Seals • Multiple Spring Mechanical seals



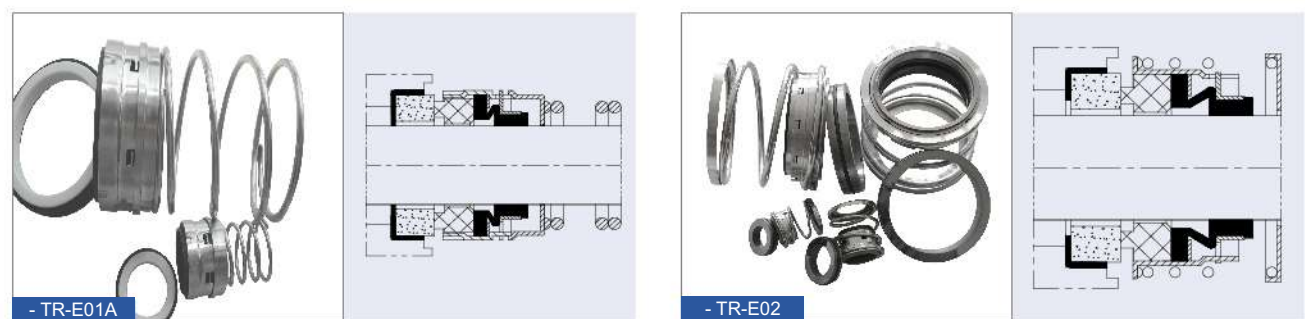
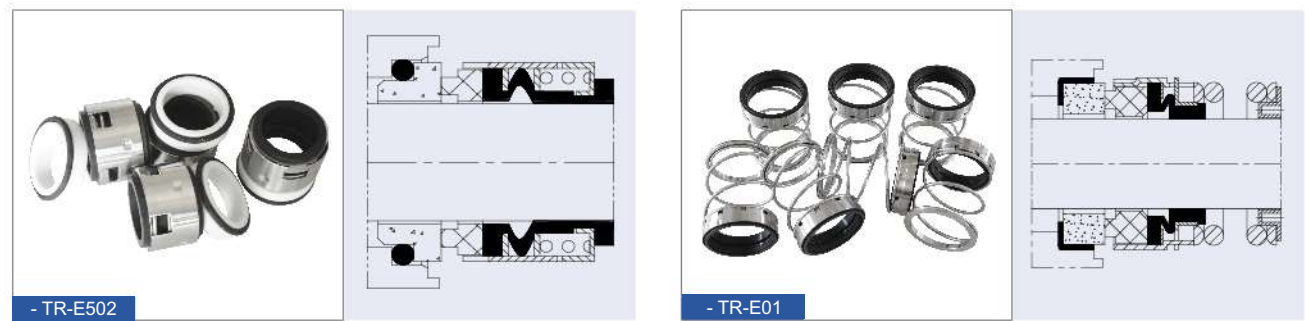
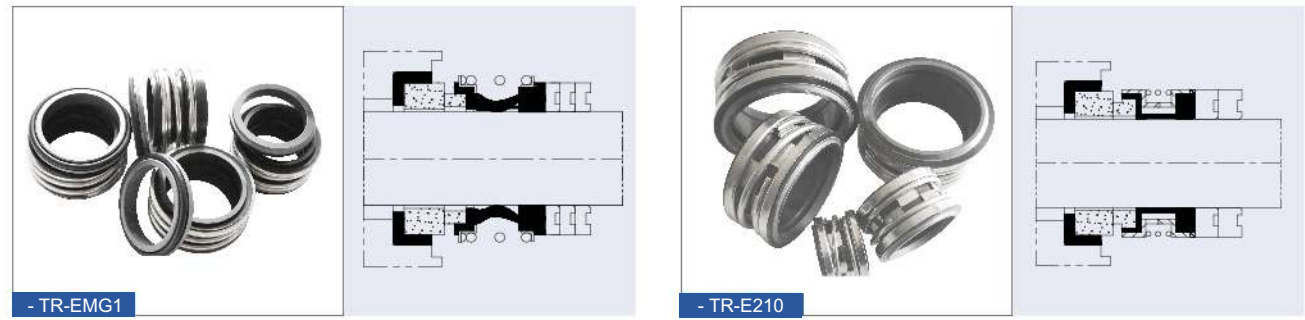
Component Seals • Wave spring mechanical seals



Component Seals • PTFE Bellow mechanical seals



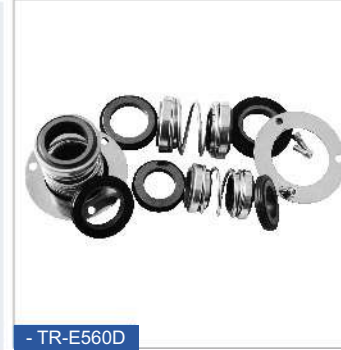
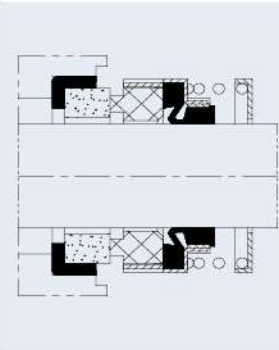
Component Seals • Elastomer Bellow Mechanical Seals



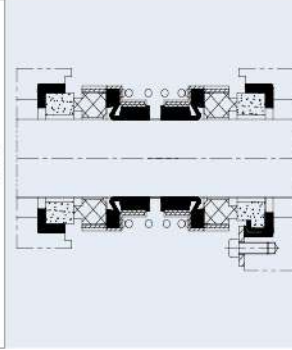
Component Seals • Elastomer Bellow Mechanical Seals



- TR-E21



- TR-E560D



Component Seals • Other Component Seals



- TR-PBK

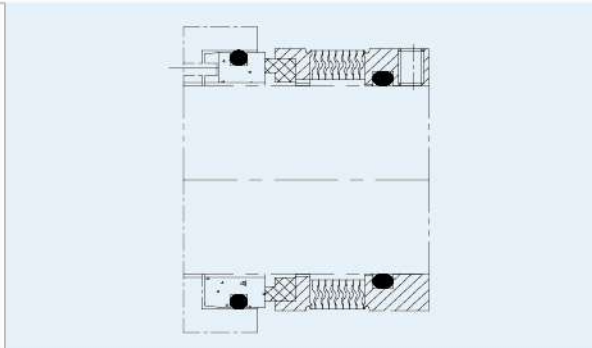


- TR-R7F

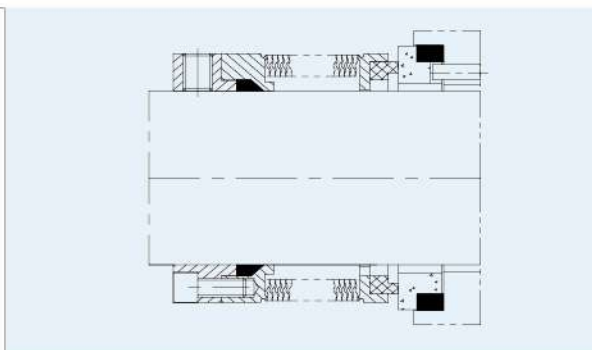
Metal Bellow Seals



- TR-BJ80



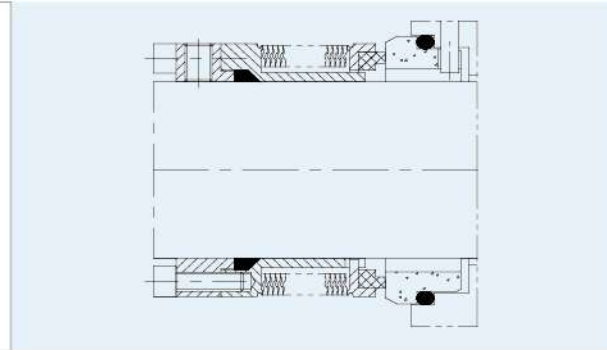
- TR-BJ09



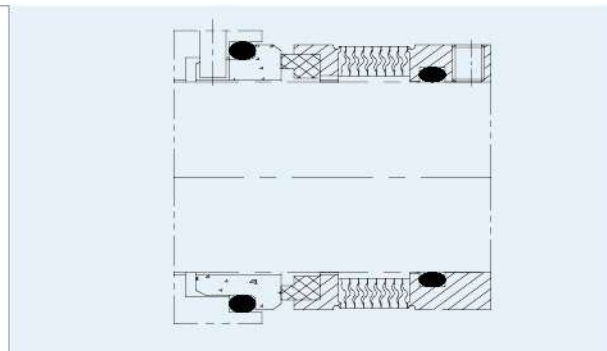
Metal Bellow Seals



- TR-BM80T



- TR-BM85



- Big Titanium Metal Bellow Seal

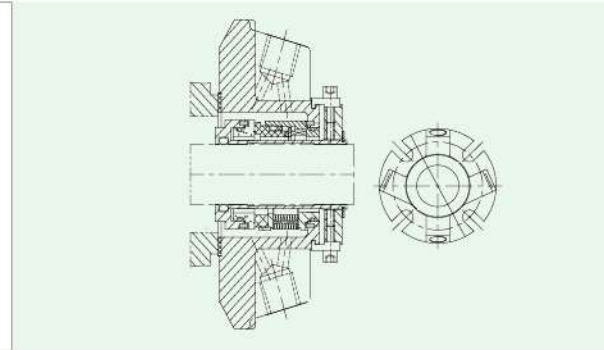


- Custom Design Metal bellow seal

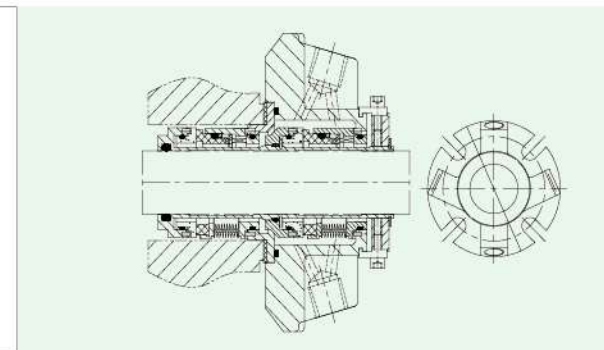
Cartridge Seals



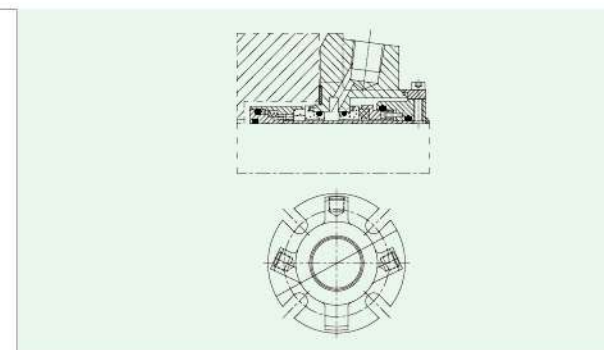
- TR-C5600S



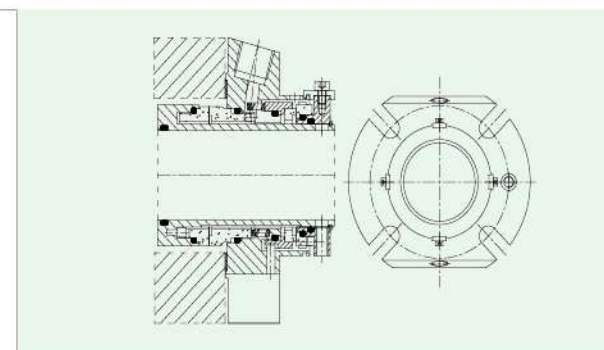
- TR-C5600D



- TR-C4600D



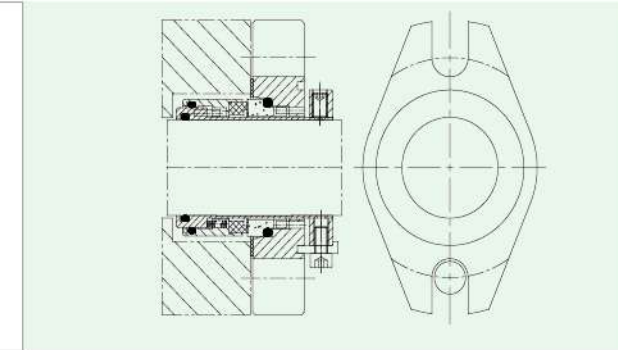
- TR-C26D



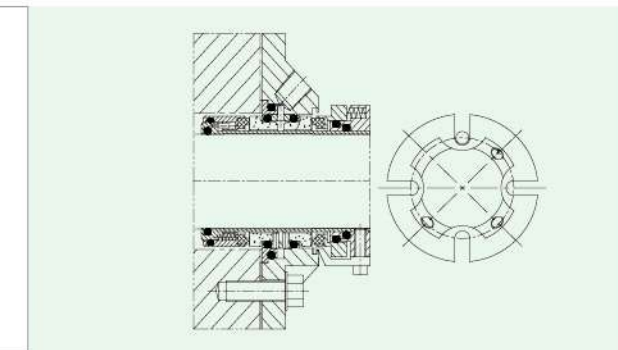
Cartridge Seals



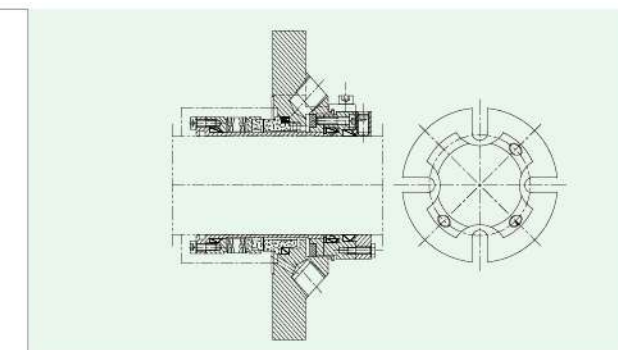
- TR-CON



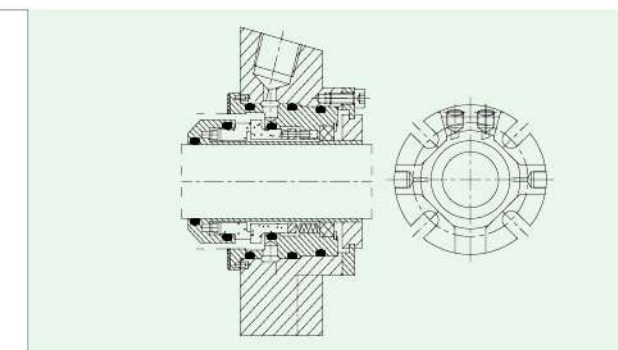
- TR-CDSA



- TR-CMBS



- TR-CHS10



Cartridge Seals



- TR-C586



- TR-C2648



- TR-C5625



- TR-CHS20



- TR-CLPD



- TR-CQBW

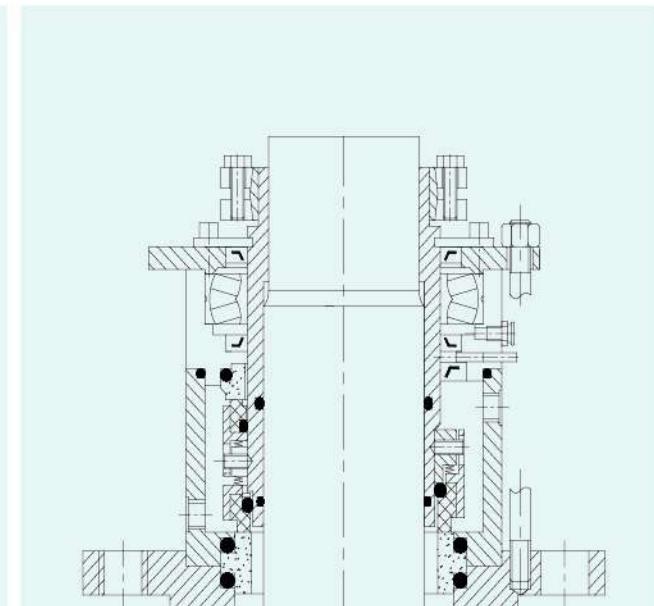


- TR-CUNITEX

Agitator Seals



- TR-A20MLD



Custom Design Seals



- BIG SIZE AGITATOR SEAL



SPECIAL DESIGN CARTRIDGE SEALS

OEM Pump Seals · Popular pump seals



- IMO Pump Seal



- Gormann-Ruop pump seal



- Godwin pump seal



- Alfa Laval Pump seal



- E02K



- EMU



- HIDR



- Tri

OEM Pump Seals · Grundfos Pump seal



- TR-GLF1



- TR-GLF2



- TR-GLF5



- TR-GLF8

OEM Pump Seals · Flygt pump seal



- Flygt Pump Seal Plug-in Type



- Flygt pump 2201.01 seal



- Flygt 7055 Pump seal



- Flygt Pump 3127 Seal

Spareparts



- Thermosiphon Vessel System



- Cr2o3 Coating Sleeve



- Split Carbon Ring



- TC&SIC Ring



- Impeller



- Kalrez O Ring

· **CONCEPT OF ENTERPRISE**

Enterprise values

Innovation, development, and pursuit of excellence.

Enterprise spirit

Our strong determination could overcome any difficulty.

Management concept

People - oriented, innovation and mutual benefits, and achieve common development between the enterprise and employees.

· **COMPANY ENVIRONMENT**



Sales Office



Warehouse



Production

· **SERVICE PUMP**



Rewinding



Rewinding



Rewinding



Ceramic



Lapping



Recondition